



GENERAL PNEUMATIC AUTOMATION

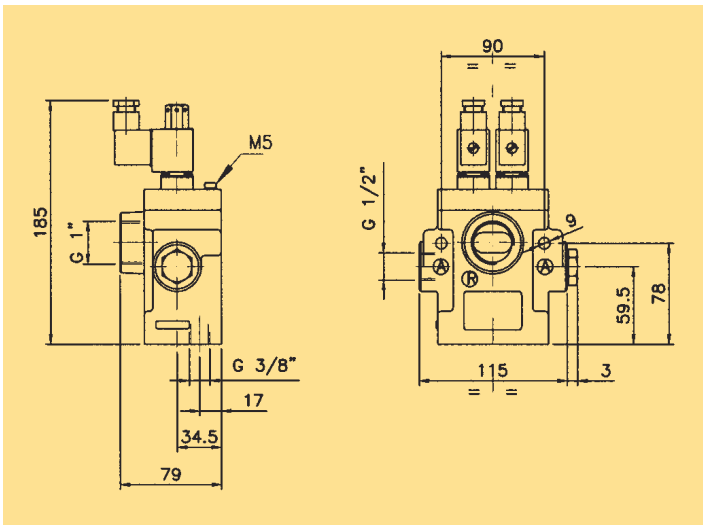


# MEP-A

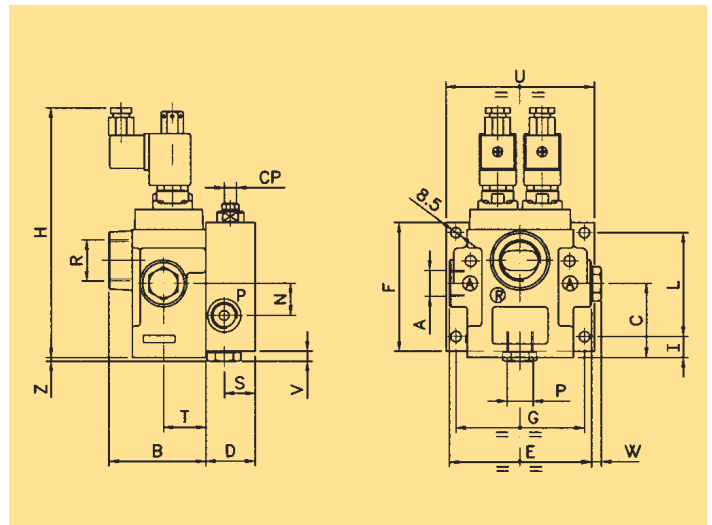
**Redundant Safety Valves**  
with inherent dynamic monitoring



Metalforming Presses • Can Bodymakers • Shears • Press Brakes • Compacting Presses • Cold Headers • Die Cutters



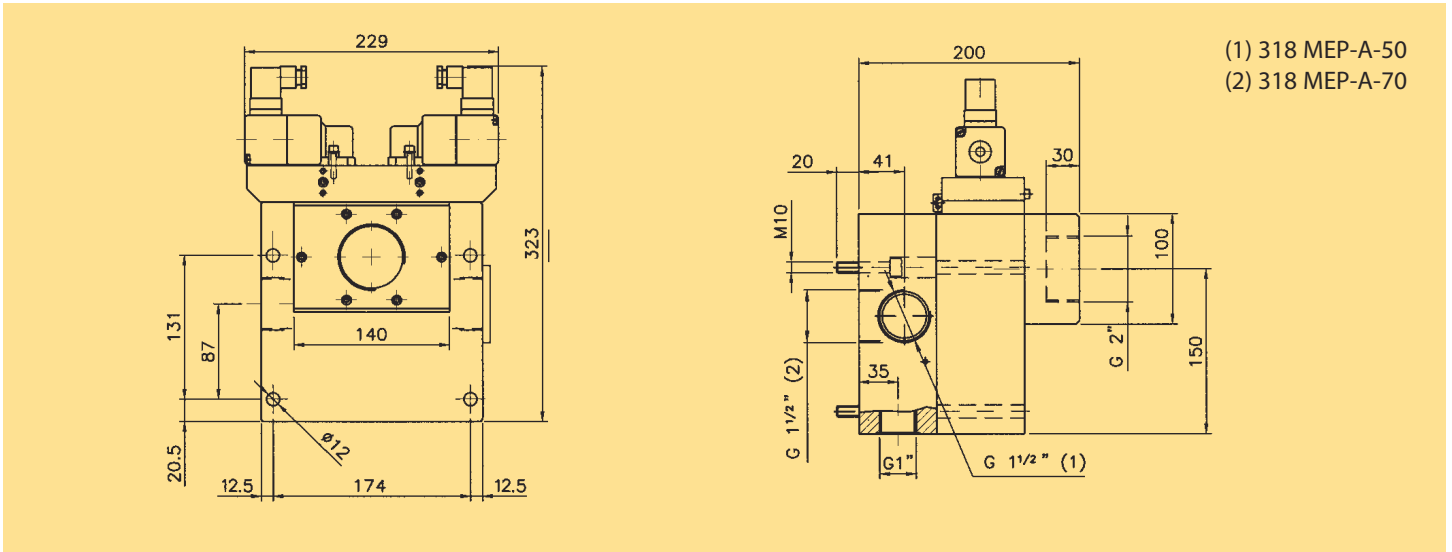
**313 MEP-A**



**314 MEP-A / 316 MEP-A**

	A	P	R	B	C	D	E	F	G	H	I	L	N	S	T	U	V	W	Z	CP
<b>314 MEP-A-50</b>	1/2"	1/2"	1"	79	60	40	115	100	104	202	17	84	26	25	34,5	120	3	3	-	1/8"
<b>314 MEP-A-52</b>	3/4"	1/2"	1"	79	58,2	40	113	100	104	202	17	84	24,2	25	34,5	120	3	3	-	1/8"
<b>316 MEP-A</b>	1"	3/4"	1 1/2"	104	63	40	166	120	154	239	8	104	35	20	43,5	170	7	7	7	1/8"

**318 MEP-A**



(1) 318 MEP-A-50  
(2) 318 MEP-A-70



**G.P.A. ITALIANA S.p.A.** - Via L. da Vinci, 25 - 22074 Lomazzo (CO) - ITALY  
 Tel. +39 02 96779406 - Fax +39 02 96370473  
 E-mail: gpa@gpa-automation.com - www.gpa-automation.com

**Authorized U.S. Distributor**  
**TORQUE TECHNOLOGIES, INC.**



**Mailing Address:** P.O. Box 25008  
 Sarasota, FL 34277-2008 USA  
**Warehouse Address:**  
 1623 West University Pkwy  
 Sarasota, FL 34243 USA

**Toll-Free:** 1-800-813-0844  
**Phone:** 1-941-358-9447  
**Fax:** 1-941-358-9647  
**Web:** www.gpa-tech.com  
**Email:** sales@gpa-tech.com