



## PNEUMATIC PLIERS PZ

The pneumatic pliers type PZ have been studied to provide a quick and safe blocking of parts with a round, hexagonal or square section.

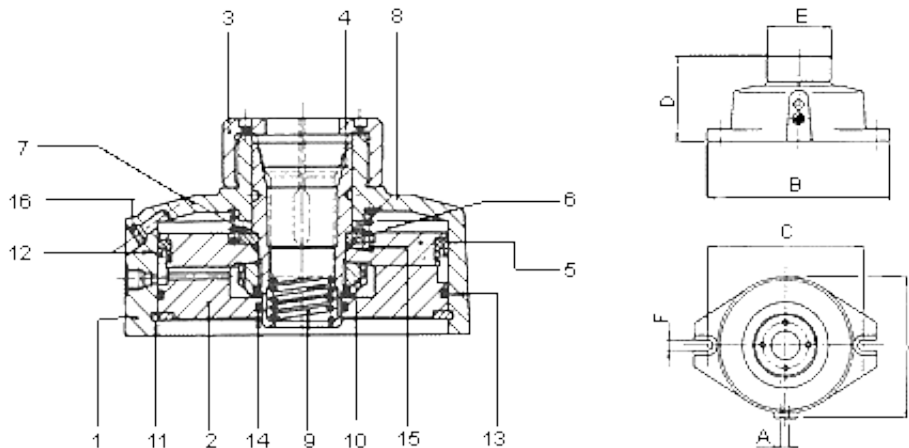


### FEATURES

- Body: cast iron.
- Elastic pliers carrier quill: rectified tempered steel, suitable for elastic pliers, such as STROHM and TRAUB.
- Control: single-acting cylinder.

### SPARE PARTS

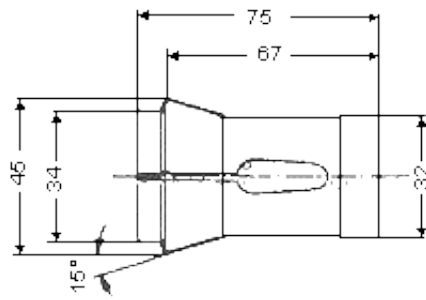
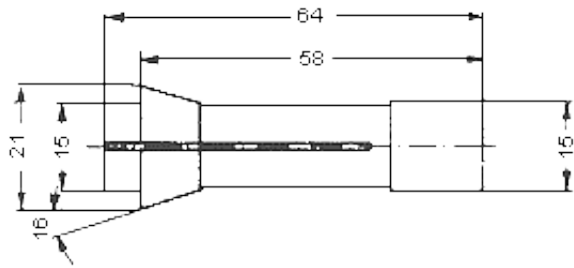
Refer to the section below bearing in mind that positions 6 - 7 - 9 - 10 - 16 do not exist on model PZ 10.



CODE	TYPE	A (gas)	B	C	D	E	F	G	Elastic Pliers	BLOCKING FORCE (at 6 bar Kg)	Weight Kg
420001	PZ-10	1/8	147	120	68	56	9	107	STROHM-M105-125	290	1,840
420002	PZ-25	1/8	220	188	103	77	12	168	TRAUB-A25	920	6,000

**STROHM M105-125 (PZ - 10)**

**TRAUB A25 (PZ - 25)**



○  $\varnothing$  max mm 10  
 ○  $\varnothing$  max mm 8  
 □  $\varnothing$  max mm 7  
 ○  $\varnothing$  max mm 25  
 ○  $\varnothing$  max mm 22  
 □  $\varnothing$  max mm 18

Right of modification reserved