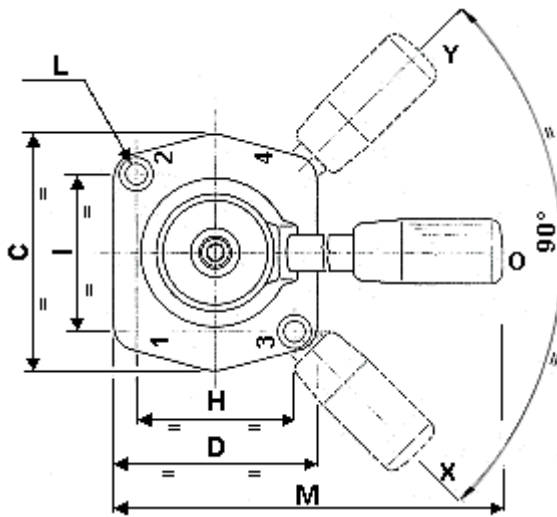


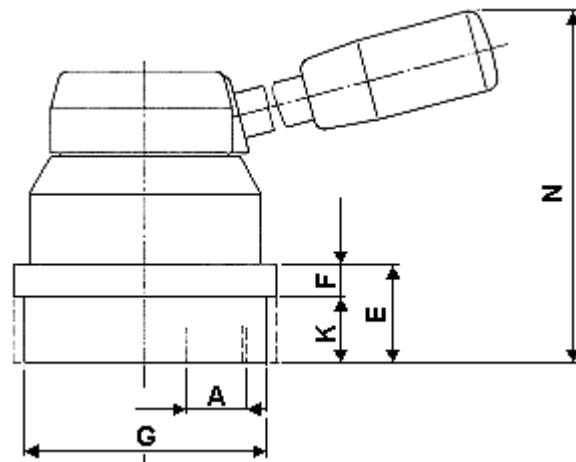


ROTARY VALVES FROM G 1/8 TO G 1/2

NORMAL ROTARY VALVES (N)



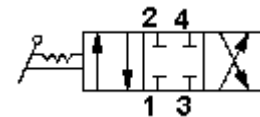
PANEL MOUNTING ROTARY VALVES (I)



3 POSITION VALVES

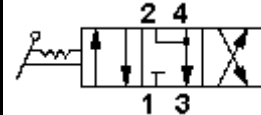
Closed centres valve

Intermediate position: Lever on 0 (zero) closed passages
 X position: Lever on X, 1 connected to 2, - 4 exhausted to 3
 Y position: Lever on Y, 1 connected to 4, - 2 exhausted to 3



Open centres valve

Intermediate position: Lever on 0 (zero) 2 and 4 connected to 3
 X position: Lever on X, 1 connected to 2, - 4 exhausted to 3
 Y position: Lever on Y, 1 connected to 4, - 2 exhausted to 3



VALVE 4 WAY / 3 POSITIONS TECHNICAL SPECIFICATIONS

CODE	CLOSED CENTRES VALVE TYPE	MAX. WORKING PRESSURE bar	FLOW SECTION mm ²	MASS kg	A	C	D	E	F	G	H	I	K	L	M	N
454100	4001-N	12	16	0,253	G1/8	56	46	17			35	35		4,5	105	70
454200	4002-N	12	19	0,352	G1/4	67	55	21			43	43		5,5	110	80
454400	4004-N	12	64	0,633	G1/2	84	70	28			59	58		5,5	135	100
454101	4001-I	12	16	0,230	G1/8	56	46	17	6	40	35	35	11	4,5	105	70

454201	4002-I	12	19	0,316	G1/4	67	55	21	7	50	43	43	14	5,5	110	80
454301	4003-I	12	57	0,536	G3/8	84	70	25	8	65	57	57	17	6,5	135	10
CODE	OPEN CENTRES VALVE TYPE	MAX. WORKING PRESSURE bar	FLOW SECTION mm ²	MASS kg	A	C	D	E	F	G	H	I	K	L	M	N
454110	4101-N	12	16	0,253	G1/8	56	46	17			35	35		4,5	105	70
454210	4102-N	12	19	0,352	G1/4	67	55	21			43	43		5,5	110	80
454410	4104-N	12	64	0,633	G1/2	84	70	28			59	58		5,5	135	100
454111	4101-I	12	16	0,230	G1/8	56	46	17	6	40	35	35	11	4,5	105	70
454211	4102-I	12	19	0,316	G1/4	67	55	21	7	50	43	43	14	5,5	110	80
454311	4103-I	12	57	0,536	G3/8	84	70	25	8	65	57	57	17	6,5	135	10

2 POSITION VALVES

	X position Lever on X, 1 connected to 2, - 4 exhausted to 3 Y position Lever on Y, 1 connected to 4, - 2 exhausted to 3	
--	------------------------------------------------------------------------------------------------------------------------------------------------------------------------	--

VALVE 2 WAY / 3 POSITIONS TECHNICAL SPECIFICATIONS

CODE	VALVE TYPE	MAX. WORKING PRESSURE bar	FLOY SECTION mm ²	MASS kg	A	C	D	E	F	G	H	I	K	L	M	N
454120	4001-N-2	12	16	0,253	G1/8	56	46	17			35	35		4,5	105	70
454220	4002-N-2	12	19	0,352	G1/4	67	55	21			43	43		5,5	110	80
454420	4004-N-2	12	64	0,633	G1/2	84	70	28			59	58		5,5	135	100
454121	4001-I-2	12	16	0,230	G1/8	56	46	17	6	40	35	35	11	4,5	105	70
454221	4002-I-2	12	19	0,316	G1/4	67	55	21	7	50	43	43	14	5,5	110	80
454321	4003-I-2	12	57	0,536	G3/8	84	70	25	8	65	57	57	17	6,5	135	10

Contact us today:

Authorized US Distributor

Torque Technologies, Inc.

P.O. Box 25008

Sarasota, FL 34277-2008

Phone: 941-358-9447

Fax: 941-358-9647

E-mail: sales@gpa-tech.com