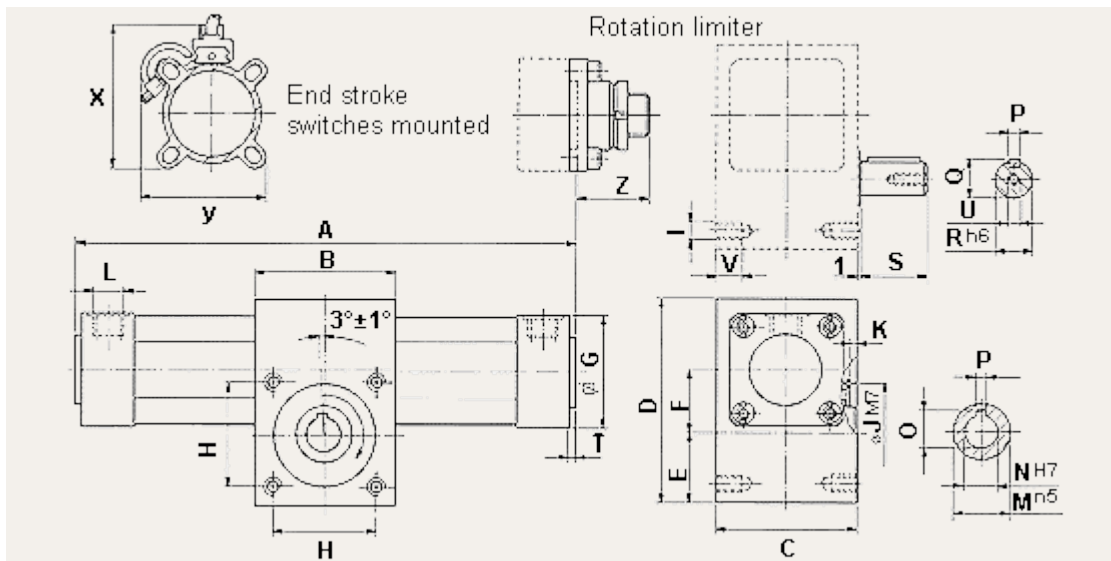


SPECIFICATIONS

Cylinder bore sizes (mm):	32	40	50	63	80	
Theoric torque at 6 bar (Nm):	7,2	15	23,5	50,4	81,4	
Port sizes:	G 1/8"	G 1/4"	G 1/4"	G 3/8"	G 3/8"	
Max. load shaft (N)	axial:	110	350	350	1050	1050
	radial:	35	220	220	900	900
Max. rated inertia (kgm ²):		0,003	0,01	0,02	0,1	0,2
Cushion angle:		50°	45°	45°	32°	32°
Rotation angles (+/-1°):		$\alpha = 96^\circ - 186^\circ - 366^\circ$				
Backlash:		0°. 10'				
Fluid:		compressed air, lubricated or not				
Working pressure (bar):		0,5 ÷ 10				
Working temperature:		-10°C ÷ +60°C				
Mounting form:		central, axial on both sides				
Shaft:		male (single side) or hollow, with key				



mm.	A	B	C	D	E	F	G	H	I	J	K	L	M	N	O	P	Q	R	S	T	U	V	Z	X	Y	W*
32	128+0.5236	α 50	50	72	25	24	45	35	M6	35	2	G1/8"	17	10	11. ⁷	4	13. ⁵	12	20	2	M4x10	10	31	56	53	22
40	163+0.6981	α 65	65	95	32. ⁵	29.5	52	47	M8	47	3	G1/4"	25	15	17. ²	5	18	16	30	3	M5x15	12	35	63	58	24
50							65																	74	70	29
63	209+0.9424	α 95	95	126	38	38	75	62	M10	62	3. ⁵	G3/8"	35	24	27. ²	8	27	24	40	3	M8x20	15	32	85	86	32
80							95																	104	102	

* To be added to A for one side magnetic cylinders (two times for double side).

Contact us today:

Authorized US Distributor

Torque Technologies, Inc.

P.O. Box 25008

Sarasota, FL 34277-2008

Phone: 941-358-9447

Fax: 941-358-9647

E-mail: sales@gpa-tech.com